

# FABRICATED "Y" STRAINERS



Model 150Y

## FEATURES

**SCREENS:** 1/8" perforated type 304 stainless steel on sizes 2" to 24".  
Other perforations, meshes and materials are available upon request

**CONSTRUCTION:** Standard units are fabricated with slip-on flanges.  
Other flange styles and welded connections are available per your specifications

**CODES:** Fabricated to ASME B31.1 and/or B31.3

## OPTIONS

- Available in sizes 1/2" through 48"
- Dimensions can be modified to suit customer requirements
- End connections available in RF or RTJ flanges, butt weld, or grooved
- Various body and screen materials are available. Consult factory
- Quick-opening cover
- Vent and pressure differential connections

## PRESSURE AND TEMPERATURE RATINGS

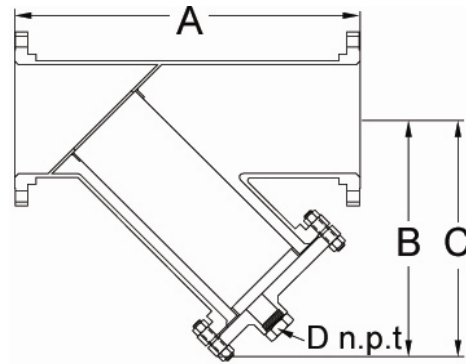
Model	Body Material	Size	Maximum Design Pressure M.A.W.P. at 100°F	Low Temperature Limit
150YFSBW	Carbon Steel	2" to 12"	285 psig	-20 °F
150YFSSBW	304/316 Stainless Steel	2" to 12"	275 psig	-20 °F
150YFSSLBW	304L/316L Stainless Steel	2" to 12"	230 psig	-20 °F

All models will be designed to the maximum design pressure unless alternative design conditions are specified. In some cases a cost savings may result if lower design conditions are acceptable.

Colton has a policy of continuous product research and improvement and reserves the right to change design and specifications without notice



# FABRICATED "Y" STRAINERS



Model 150Y

## DIMENSIONS AND WEIGHTS

Size		DIMENSIONS								Weight	
		A		B		C		D			
mm	in	mm	in	mm	in	mm	in	mm	in	kg	lbs
50	2	275	10-13/16	210	8-1/4	337	13-1/4	15	1/2	13	28
65	2-1/2	340	13-3/8	260	10-1/4	418	16-9/16	25	1	37	81
80	3	340	13-3/8	260	10-1/4	418	16-9/16	25	1	37	81
100	4	375	14-3/4	267	10-1/2	425	16-3/4	40	1-1/2	39	85
125	5	438	17-1/4	318	12-1/2	508	20	40	1-1/2	50	110
150	6	559	22	356	14	570	22-7/16	50	2	66	145
200	8	610	24	451	17-3/4	722	28-7/16	50	2	116	256
250	10	800	31-1/2	559	22	895	35-1/4	50	2	172	380
300	12	832	32-3/4	635	25	1016	40	50	2	317	700
350	14	1010	39-3/4	686	27	1099	43-1/4	50	2	340	750
400	16	1149	45-1/4	784	30-7/8	1257	49-1/2	50	2	410	905
450	18	1232	48-1/2	861	33-7/8	1378	54-1/4	50	2	510	1125
500	20	1365	53-3/4	991	39	1588	62-1/2	50	2	641	1415
600	24	1626	64	1118	44	1791	70-1/2	50	2	827	1825

Dimensions shown are for flanged and butt-weld strainers. Dimensions can be modified to suit customer requirements

## ORDERING CODES

	ANSI CLASS	STRAINER TYPE	CONNECTION TYPE	BODY MATERIAL	COVER TYPE	CONSTRUCTION TYPE
<b>Example:</b>	150	Y	F	S	B	W
	150	Y – "Y" Strainer	F – Flanged RTJ – Ring Joint BW – Butt-weld G – Grooved	S – Carbon Steel SS – 304 Stainless Steel SS6 – 316 Stainless Steel SSL – 304L Stainless Steel SS6L – 316L Stainless Steel (Other materials are available upon request)	B – Bolted D – Bolted Cover With Davit H – Swing Bolt Hinged Cover	W – Welded

Colton has a policy of continuous product research and improvement and reserves the right to change design and specifications without notice



Tel: 1-888-300-9155 Fax: 1-888-300-9160 www.COLTONIND.com info@coltonind.com