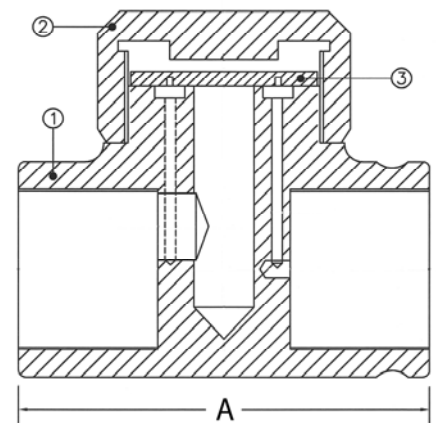
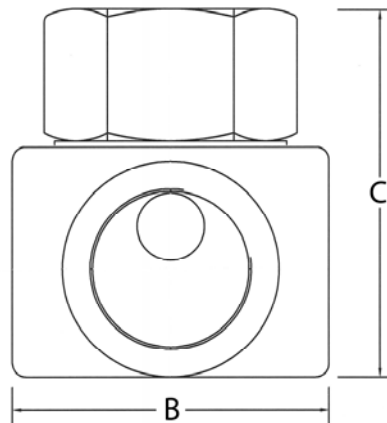


THERMODYNAMIC STEAM TRAPS

CTD-600 Series



FEATURES

- All stainless steel construction
- Can be installed in any position. Vertical installation ensures the unit to be freeze-proof when discharging to a gravity return or atmosphere

RATINGS

PMO: (maximum operating pressure): 600 psi
 TMO: (maximum operating temperature): 800° F

MATERIALS

Part	Description
Body	Stainless Steel ASTM A743
Cap	Stainless Steel ASTM A743
Disc	420 Stainless Steel

DIMENSIONS AND WEIGHTS

Size		A		B		C		Weight	
mm	in	mm	in	mm	in	mm	in	kg	lbs
10	3/8	51	2	35	1-3/8	44	1-3/4	0.4	0.9
15	1/2	68	2-11/16	38	1-1/2	51	2	0.6	1.3
20	3/4	71	2-13/16	44	1-3/4	60	2-3/8	1	2.2
25	1	84	3-5/16	54	2-1/8	73	2-7/8	1.5	3.3

CAPACITIES IN POUNDS & KILOGRAMS PER HOUR OF CONDENSATE

Size	69	10	173	25	345	50	690	100	1380	200	3100	450	4140	600
	kpa	psi	kpa	psi	kpa	psi	kpa	psi	kpa	psi	kpa	psi	kpa	psi
3/8"	86	190	93	205	111	245	167	370	276	610	465	1025	566	1250
1/2"	156	345	192	425	260	575	367	810	517	1140	782	1725	907	2000
3/4"	213	470	272	600	367	810	526	1160	757	1670	1168	2575	1383	3050
1"	328	725	419	925	544	1200	793	1750	1180	2600	1814	4000	2130	4700

Colton has a policy of continuous product research and improvement and reserves the right to change design and specifications without notice.



Tel: 1-888-300-9155 Fax: 1-888-300-9160 www.COLTONIND.com info@coltonind.com