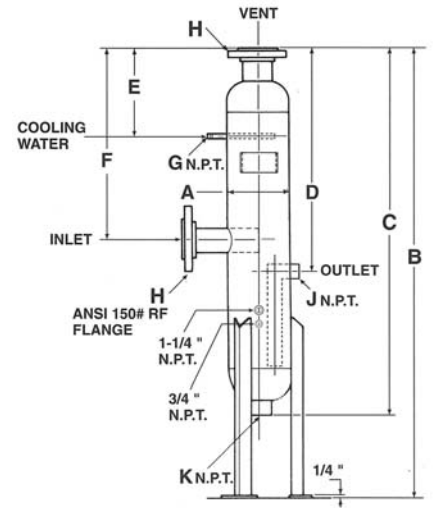
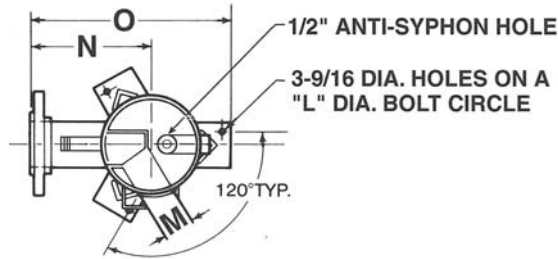


CONDENSATE COOLERS



PURPOSE

Condensate coolers should be utilized on any application where condensate is being discharged to drain or waste. Most codes restrict waste water to a 140°F high limit

OPTIONAL ACCESSORIES

- Self operating cooling control valve
- Dial thermometer
- Vent condenser

INSTALLATION

The vessel should be installed with the flash steam outlet (vent) at the top as shown. Vent to atmosphere through independently supported vent piping.

ORDERING INFORMATION REQUIRED

- Pressure at source steam traps or blowdown valves
- Volume of condensate to be cooled
- Pressure and temperature of cooling water
- High temperature limit of waste condensate

Normal Sizing by Condensate Load

CC-6 up to 2,000 lbs./hr. CC-12 up to 10,000 lbs./hr.
 CC-8 up to 5,000 lbs./hr. CC-16 up to 20,000 lbs./hr.

FEATURES

- Cooling water dispersal header
- Internal weir assembly retains condensate and allows it to cool to atmosphere, saving on cooling water
- Baffled inlet extends tank life

DESIGN SPECIFICATIONS

Design Pressure: 25 psig
 Design Temperature: 100°F
 M.D.M.T.: -20°F
 Hydrostatic Test: 40 psig
 Design Steam Pressure: 15 psig saturated
 Operating Steam Pressure: 0 psig (vented to atmosphere)
 Heat Treatments: None
 Service: Non-Lethal
 Material of Construction: Carbon Steel (Stainless Steel Optional)

Notes:

- Dimensions may be modified to suit customer's requirements
- Larger sizes and selections are available upon request

DIMENSIONS AND WEIGHTS

Model	A in	B in	C in	D in	E in	F in	G in	H in	J in	K in	L in	M in	N in	O in	Weight lbs
CC-6	6	47	38	24-1/2	9	19	1/2	2-1/2	1-1/2	1	8.8	2-1/2	8	13	80
CC-8	8	48	39	26	9-1/2	19-1/2	3/4	4	2	1	10.8	3-1/2	8-1/2	14-1/2	110
CC-12	12	49-1/2	42	29	11-1/2	21	1	5	2-1/2	1-1/4	14.9	5	12	20	175
CC-16	16	58	49	34	12-1/2	24-1/2	1	6	3	1-1/2	18.9	5	13-1/2	23-1/2	225

Colton has a policy of continuous product research and improvement and reserves the right to change design and specifications without notice



Tel: 1-888-300-9155 Fax: 1-888-300-9160 www.COLTONIND.com info@coltonind.com