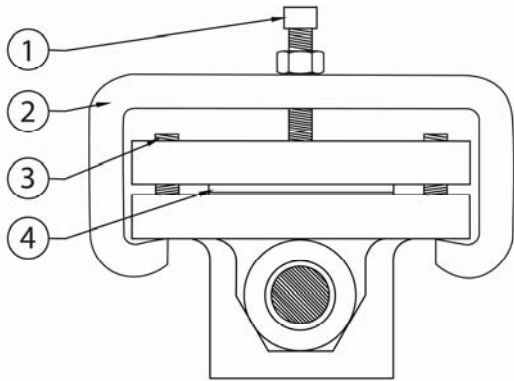


CAST BASKET STRAINERS

Quick Opening Covers



Cover Type C – Quick Opening C-Clamp

- For use on all Colton cast basket strainers in sizes up to 12"
- Ideal for low pressure applications
- Allows for quick access to strainer basket
- To be used on non-lethal liquid service only

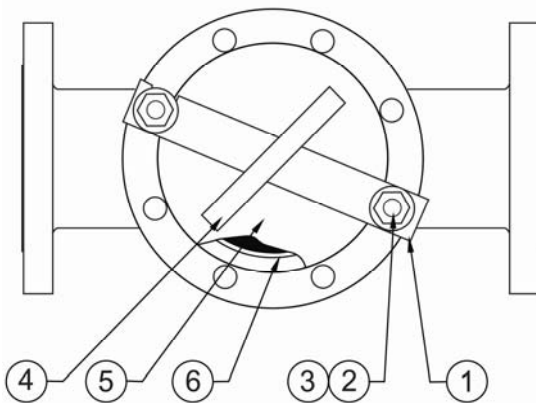
RATINGS – Any Colton Series Cast Basket Strainer

PMO (maximum operating pressure): 50 psig

TMO (maximum operating temperature): 100°F

MATERIALS

PART	DESCRIPTION
(1) Clamp Bolt	A449 Grade 5
(2) Clamp Body	A516-70 Carbon Steel
(3) Stud	A307-B
(4) Gasket	Strainer sizes 1/2" to 6" – Non-Asbestos Rubber Strainer sizes 8" to 12" – Buna-N O-ring



Cover Type Y – Swing Yoke

- For use on all Colton cast basket strainers in sizes 3" to 8"
- Ideal for medium pressure applications
- Allows for quick access to strainer basket

RATINGS

MODEL	PMO (maximum operating pressure)	TMO (maximum operating temperature)
125BFIB	125 psig	100°F
150BFBB	125 psig	100°F
150BFBSB	150 psig	100°F
150BFSSB	150 psig	100°F

MATERIALS

PART	MODELS	
	125BFIB, 150BFBSB	150BFBB, 150BFSSB
(1) Clamp Body	A516-70	A240-304
(2) Body Bolt	A193-B7	A193-B8-1
(3) Body Nut	A194-2H	A194-8
(4) Clamp Bolt	A449 Grade 5	18-8 Stainless Steel
(5) Cover	A216-B, WCB	B62, CF8M
(6) Gasket *	Buna-N O-ring	Viton O-ring

* Other gasket materials are available, please consult factory