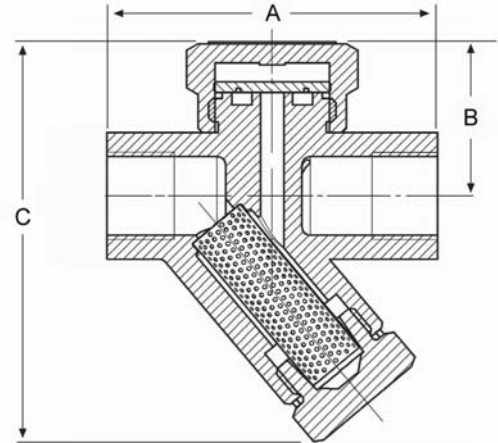
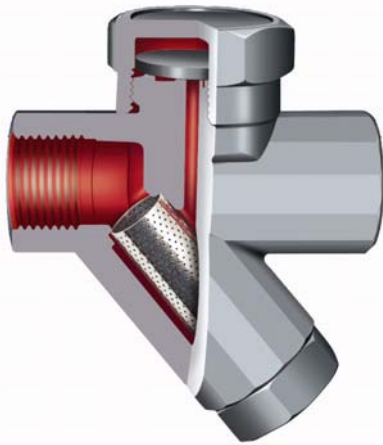


THERMODYNAMIC STEAM TRAPS

CTD-600Y Series



FEATURES

- All stainless steel construction
- Integral strainer
- “Y” pattern body allows for easy removal and cleaning of integral screen when necessary
- Can be installed in any position. Vertical installation ensures the unit to be freeze-proof when discharging to a gravity return or atmosphere
- Optional tapped and plugged blowdown connection is available

MATERIALS

Part	Description
Body	Stainless Steel ASTM A743
Cap	304 Stainless Steel
Screen	304 Stainless Steel
Disc	420 Stainless Steel
Cover	304 Stainless Steel

RATINGS

PMO: (maximum operating pressure): 600 psi
 PMA: (maximum allowable pressure): 900 psi
 TMO: (maximum operating temperature): 750°F

DIMENSIONS AND WEIGHTS

Size		A		B		C		Weight	
mm	in	mm	in	mm	in	mm	in	kg	lbs
15	1/2	78	3-1/16	36.5	1-7/16	94	3-11/16	0.94	2
20	3/4	90	3-9/16	43	1-11/16	103	4-1/16	1.10	2.5
25	1	95	3-3/4	51	2	115.5	4-17/32	1.60	3.5

CAPACITIES IN POUNDS & KILOGRAMS PER HOUR OF CONDENSATE

Size	69	10	173	25	345	50	690	100	1380	200	3100	450	4140	600
	kpa	psi	kpa	psi	kpa	psi	kpa	psi	kpa	psi	kpa	psi	kpa	psi
1/2"	150	330	180	397	245	540	350	770	560	1235	725	1600	790	1740
3/4"	325	715	380	837	460	1015	600	1322	700	1544	930	2050	1000	2205
1"	460	1015	600	1322	850	1873	980	2160	1300	2865	1750	3858	2000	4409

Colton has a policy of continuous product research and improvement and reserves the right to change design and specifications without notice.



Tel: 1-888-300-9155 Fax: 1-888-300-9160 www.COLTONIND.com info@coltonind.com