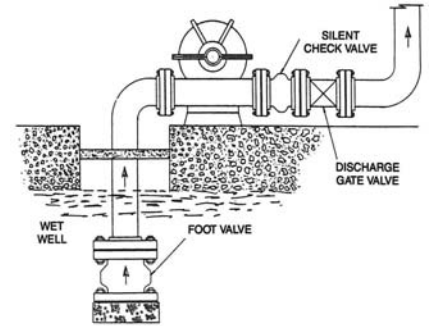
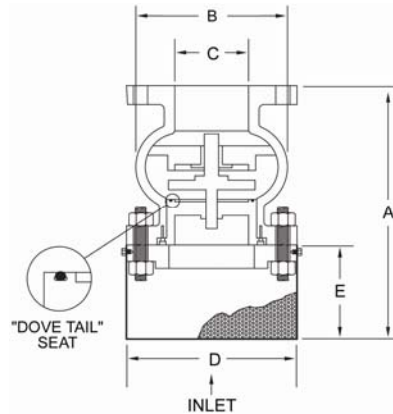
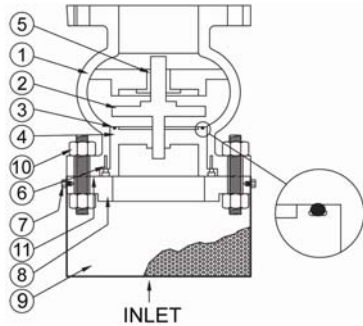


CAST IRON FOOT VALVES



Model 125FVFI



FEATURES

- Inexpensive way to maintain pump prime
- Designed for installation at the bottom of a pump suction line, inside a wet well
- 1/8" perforated 304SS screen material as standard. Other meshes, perforations and materials are available upon request
- Class 125 flat face flanges in accordance with ASME B16.1.
- "Dove Tail" resilient seating

RATINGS

PMO (maximum operating pressure) 2 to 12": 200 psi @ 150°F
 PMO (maximum operating pressure) 14" to 16": 150 psi @ 150°F

MATERIALS

Part	Description
(1) Body	A126-B Cast Iron
(2) Plug	B148 C954 Aluminum Bronze
(3) Seal	Buna-N
(4) Seat	B148 C954 Aluminum Bronze
(5) Bushing	B148 C954 Aluminum Bronze
(6) Set Screw	300 Series Stainless Steel
(7) Screen Retainer	300 Series Stainless Steel
(8) Ring Plate	A105 Carbon Steel
(9) Screen	304 Stainless Steel
(10) Bolting	A193-B7/A194-2H Carbon Steel
(11) Gasket	Rubber

DIMENSIONS AND WEIGHTS

Size		DIMENSIONS										Flow Coefficient (Cv)		Weight	
		A		B		C		D		E					
mm	in	mm	in	mm	in	mm	in	mm	in	mm	in	kg	lbs		
50	2	273	10-3/4	121	4-3/4	51	2	152	6	111	4-3/8	61	10.4	23	
65	2-1/2	295	11-5/8	140	5-1/2	64	2-1/2	178	7	114	4-1/2	94	15.4	34	
80	3	295	11-5/8	162	6-3/8	76	3	191	7-1/2	102	4	140	19.5	43	
100	4	321	12-5/8	229	9	102	4	229	9	102	4	246	30.0	66	
125	5	372	14-5/8	254	10	127	5	254	10	127	5	388	43.1	95	
150	6	422	16-5/8	279	11	152	6	279	11	152	6	556	54.5	120	
200	8	527	20-3/4	394	15-1/2	203	8	343	13-1/2	181	7-1/8	989	97.6	215	
250	10	645	25-3/8	457	18	254	10	406	16	229	9	1561	152.1	335	
300	12	791	31-1/8	533	21	305	12	483	19	273	10-3/4	2241	238.8	526	
350	14	927	36-1/2	635	25	349	13-3/4	533	21	346	13-5/8	3034	306.5	675	
400	16	1041	41	660	26	400	15-3/4	597	23-1/2	410	16-1/8	3891	435.8	960	

NOTES: 1. Full face gaskets are recommended for installation.

Colton has a policy of continuous product research and improvement and reserves the right to change design and specifications without notice



Tel: 1-888-300-9155 Fax: 1-888-300-9160 www.COLTONIND.com info@coltonind.com