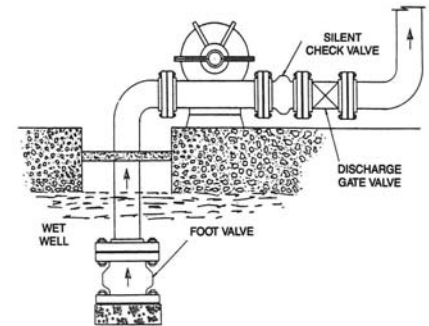
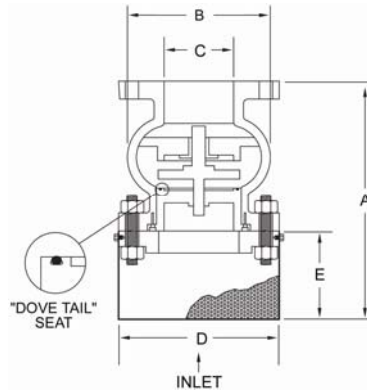
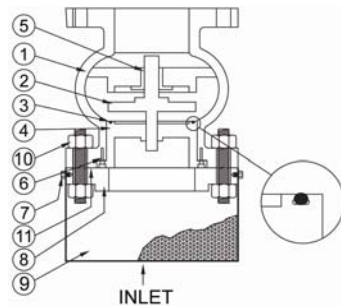


FOOT VALVES

Steel / Stn. Stl.



Model 150FVFS – Steel
Model 150FVFS – Stn. Stl.



FEATURES

- Inexpensive way to maintain pump prime
- Designed for installation at the bottom of a pump suction line, inside a wet well
- 1/8" perforated 304SS screen material as standard. Other meshes, perforations and materials are available upon request
- Class 150 raised face flanges in accordance with ASME B16.5
- "Dove Tail" resilient seating

RATINGS

PMO (maximum operating press.) 150FVFS: 285 psi @ 100°F
250 psi @ 250°F

PMO (maximum operating press.) 150FVFS: 275 psi @ 100°F
245 psi @ 250°F

MATERIALS

Part	Model 150FVFS (Carbon Steel)	Model 150FVFS (Stainless Steel)
(1) Body	A216-WCB	A351-CF8M 316SS
(2) Plug	A351-CF8M 316SS	A351-CF8M 316SS
(3) Seal	Buna-N	Viton
(4) Seat	A351-CF8M 316SS	A351-CF8M 316SS
(5) Bushing	316 Stainless Steel	316 Stainless Steel
(6) Set Screw	N/A	N/A
(7) Screen Retainer	300 Series Stainless Steel	300 Series Stainless Steel
(8) Ring Plate	A105 Carbon Steel	A182 Stainless Steel
(9) Screen	304 Stainless Steel	304 Stainless Steel
(10) Bolting	A193-B7/194-2H Cbn. Stl.	A193-B8/A194-8 Stn. Stl.
(11) Gasket	Rubber	Viton

DIMENSIONS AND WEIGHTS

Size		DIMENSIONS										Flow Coefficient (Cv)		Weight	
		A		B		C		D		E					
mm	in	mm	in	mm	in	mm	in	mm	in	mm	in	kg	lbs		
50	2	273	10-3/4	121	4-3/4	51	2	152	6	111	4-3/8	61	10.4	23	
65	2-1/2	295	11-5/8	140	5-1/2	64	2-1/2	178	7	114	4-1/2	94	15.4	34	
80	3	295	11-5/8	162	6-3/8	76	3	191	7-1/2	102	4	140	19.5	43	
100	4	321	12-5/8	229	9	102	4	229	9	102	4	246	30.0	66	
125	5	372	14-5/8	254	10	127	5	254	10	127	5	388	43.1	95	
150	6	422	16-5/8	279	11	152	6	279	11	152	6	556	54.5	120	
200	8	527	20-3/4	394	15-1/2	203	8	343	13-1/2	181	7-1/8	989	97.6	215	
250	10	645	25-3/8	457	18	254	10	406	16	229	9	1561	152.1	335	
300	12	791	31-1/8	533	21	305	12	483	19	273	10-3/4	2241	238.8	526	

Colton has a policy of continuous product research and improvement and reserves the right to change design and specifications without notice



Tel: 1-888-300-9155 Fax: 1-888-300-9160 www.COLTONIND.com info@coltonind.com