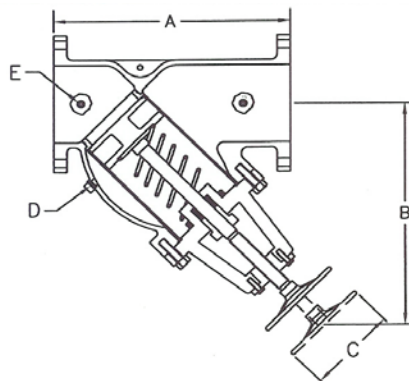
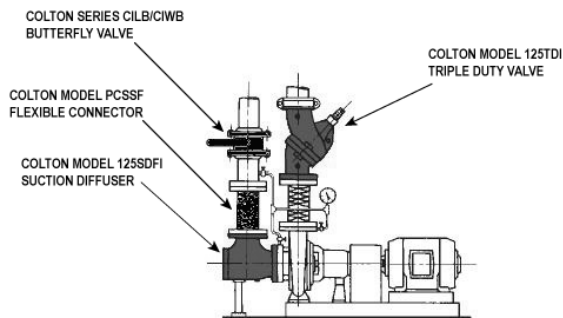


# TRIPLE DUTY VALVES



Model 125TDFI



Model 125TDFI

## FEATURES

- Acts as three valves in one. On a pump discharge, a triple duty valve replaces the need for a balancing valve, shut-off valve and a check valve
- 125# ANSI flat face flanged ends in accordance with ASME B16.1
- To prevent water hammer, the triple duty valve is spring loaded to ensure that the disc closes as the line flow approaches zero
- 1/4 psi cracking pressure
- The rising stem allows for adjustment from zero to full flow
- EPDM seat seal supplied as standard
- Bubble-tight shut-off
- Valve position indicator
- All sizes supplied with valve hand-wheel operator
- Tapped and plugged drain and differential connections

## MATERIALS

PART	DESCRIPTION
Valve Body	A126-B Cast Iron
Valve Disc	B62 Bronze
Valve Stem	410 Stainless Steel
Valve Stem Guide	A536 Ductile Iron
Packing	Non-Asbestos Fiber
Packing Gland	A126-B Cast Iron
Spring	300 series Stainless Steel
Valve Seat Ring	A536 Nickel Plated Ductile Iron
Valve Seat Seal	EPDM O-Ring (Viton Optional)
Valve Disc Seat	EPDM O-Ring (Viton Optional)

## RATINGS

Maximum Allowable Working Pressure: 200 PSIG @ 150°F  
 Maximum Allowable Working Temperature: 250°F (EPDM seal)  
 400°F (Viton seal)

## DIMENSIONS

SIZE		A		B		C		D (NPT)		E (NPT)		Weight		Cv *
mm	in	mm	in	mm	in	mm	in	mm	in	mm	in	kg	lbs	
50	2	213	8-3/8	244	9-5/8	159	6-1/4	15	1/2	8	1/4	75	34	82
65	2-1/2	248	9-7/8	250	10	159	6-1/4	15	1/2	8	1/4	88	40	128
80	3	250	10	257	10-1/8	238	9-3/8	15	1/2	8	1/4	110	50	188
100	4	368	14-1/2	321	12-5/8	238	9-3/8	15	1/2	8	1/4	200	100	334
125	5	406	16	416	16-3/8	279	11	15	1/2	8	1/4	342	155	528
150	6	457	18	444	17-1/2	279	11	20	3/4	8	1/4	441	200	765
200	8	546	21-1/2	470	18-1/2	317	12-1/2	20	3/4	8	1/4	772	350	1371
250	10	648	25-1/2	552	21-3/4	317	12-1/2	25	1	8	1/4	1058	480	2153
300	12	762	30	622	24-1/2	317	12-1/2	25	1	8	1/4	1455	660	3105

\* Cv is defined as the gallon per minute of water that will flow through a given valve opening with a pressure drop of one (1) psi.

Colton has a policy of continuous product research and improvement and reserves the right to change design and specifications without notice

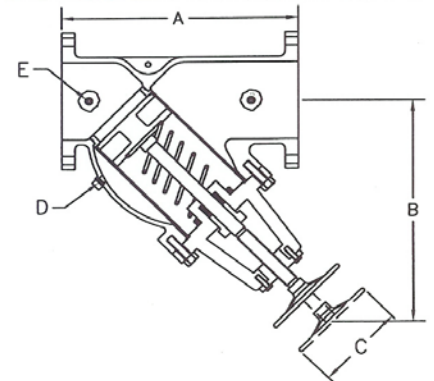
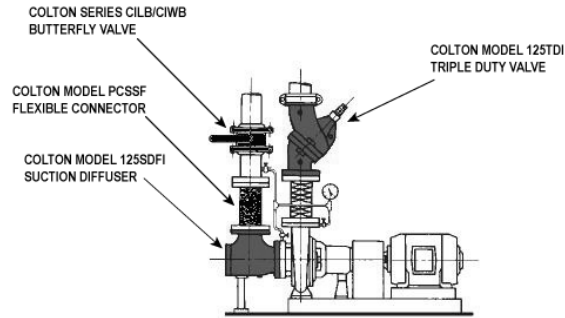


Tel: 1-888-300-9155 Fax: 1-888-300-9160 www.COLTONIND.com info@coltonind.com

# TRIPLE DUTY VALVES

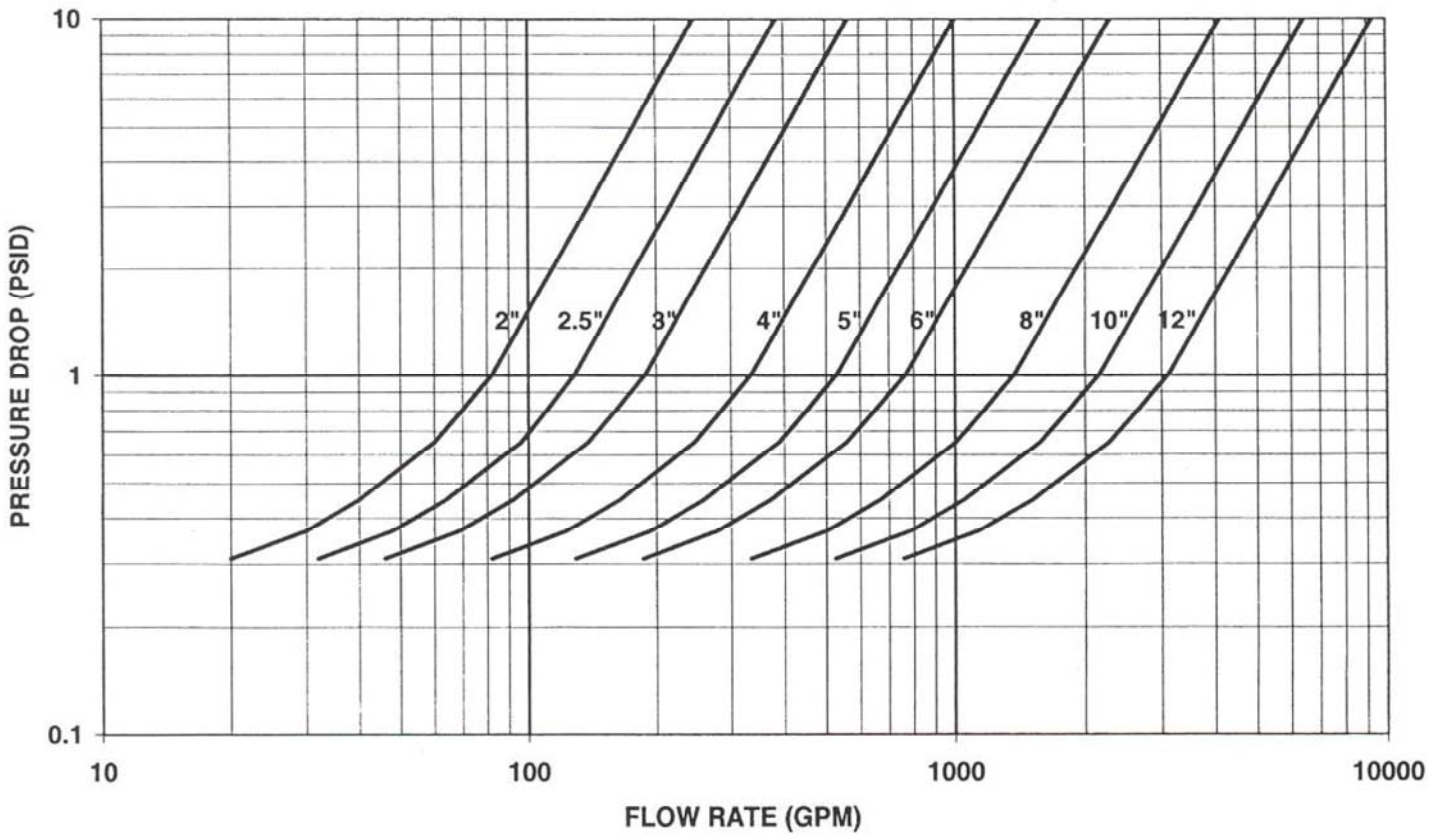


Model 125TDFI



Model 125TDFI

## PRESSURE DROP CHART - LIQUIDS



Colton has a policy of continuous product research and improvement and reserves the right to change design and specifications without notice

