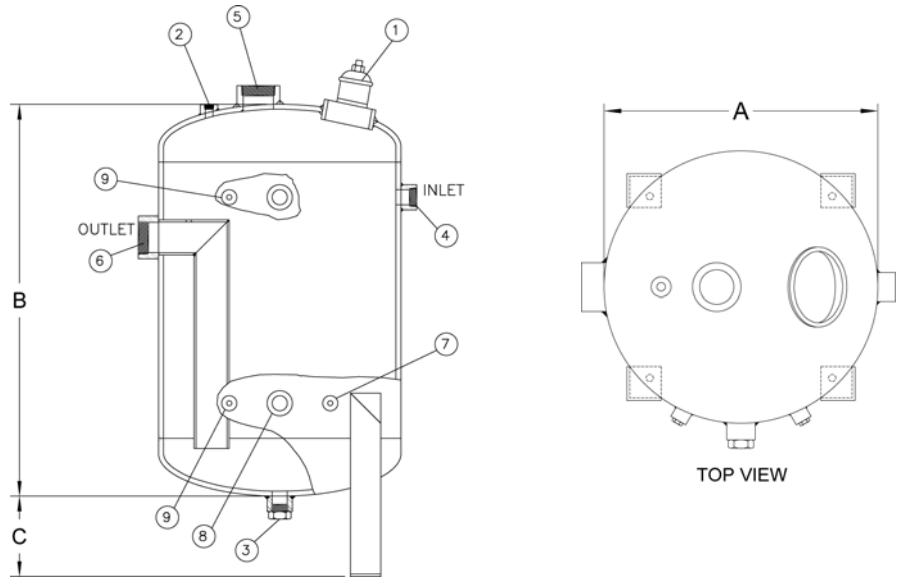


# BLOWDOWN TANKS



## INSTALLATION

The vessel should be installed with the flash steam outlet (5) at the top as shown.

## OPTIONAL ACCESSORIES

- Self operating thermostatic cooling control valve
- Thermometer
- Vent Condenser

## FEATURES

- Internal weir assembly retains blowdown and allows it to cool to atmosphere, saving on cooling water.
- Baffled inlet extends tank life
- Standard inspection cover

## DESIGN SPECIFICATIONS

- Design Pressure: 100 PSIG
- Design Temperature: 450°F
- Design Code: ASME Sect VIII, Div. I, latest revision
- Material of Construction: Carbon Steel (optional stainless steel)

## Notes:

- Dimensions can be modified to suit customer requirements.
- Larger sizes and selections for higher boiler pressures are available upon request

## DIMENSIONS (All dimensions in inches)

Model	Nominal Boiler HP	A	B	C	Inspect. Cover 1	Cold Water 2	Drain 3	Inlet 4	Vent 5	Outlet 6	Therm. 7	Temp. Sensor 8	Gauge Glass 9	Weight (Lbs.)
BDT-25	5-25	18	30	8	4 x 6	3/4	1-1/2	1-1/2	3	3	1/2	1-1/2	1/2	230
BDT-50	26-50	24	39	8	4 x 6	3/4	1-1/2	1-1/2	3	3	1/2	1-1/2	1/2	441
BDT-100	51-100	30	46	8	12 x 16	3/4	1-1/2	2	4	4	1/2	1-1/2	1/2	661
BDT-200	101-200	36	44	8	12 x 16	3/4	1-1/2	2	4	4	1/2	1-1/2	1/2	772
BDT-400	201-400	36	53	8	12 x 16	3/4	1-1/2	2	4	4	1/2	1-1/2	1/2	904
BDT-750	401-750	42	60	8	12 x 16	3/4	1-1/2	2	4	4	1/2	1-1/2	1/2	1102
BDT-3000	751-3000	48	69	8	12 x 16	3/4	1-1/2	2	4	4	1/2	1-1/2	1/2	1433

Colton has a policy of continuous product research and improvement and reserves the right to change design and specifications without notice



Tel: 1-888-300-9155 Fax: 1-888-300-9160 www.COLTONIND.com info@coltonind.com